



SYSTEM LOGMATIC

AND LET'S SPLIT SOME FIREWOOD



- + Truly safe to use *)
- + Handy and easy to use
- + Splitting in bunches
- + Suits all user age groups
- + Makes a great present
- + For both men and women

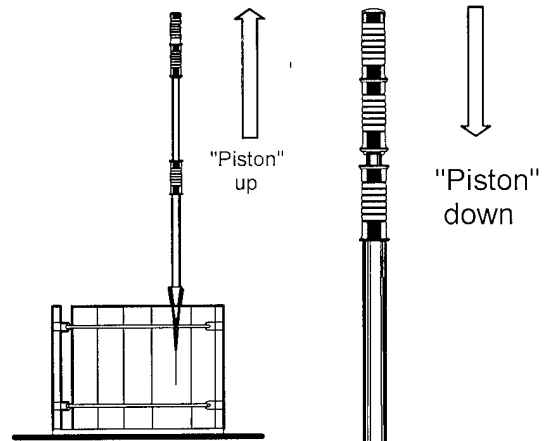
**NEW
GENE-
RATION
CHOICE**

*) 1. Won respected international "OSCAR SECURITE 2000" award in France.

2. VTT, Technical Research Centre of Finland Research Report No. 293. Annually over 4,200 axe-accidents requiring medical attention occur in Finland, (population 5 milj.)

3. TTS Work Efficiency Institute reports.

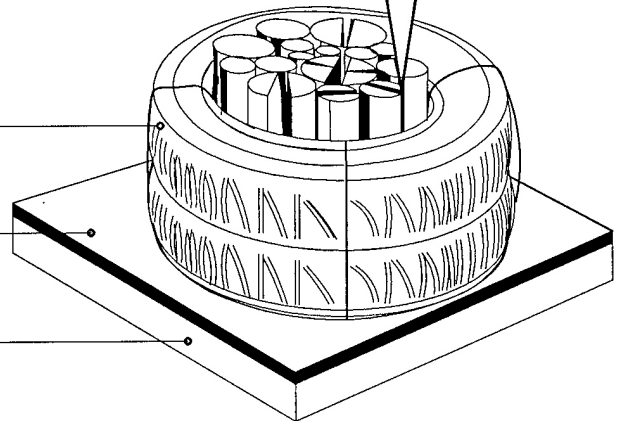
4. Rautaruukki report: "Better to give people firewood free of charge than have them use old methods of splitting firewood".



Worn-out tyres serving ****** useful function.

Form work plywood

Solid base, e.g. concrete plate



**** Worn out tyres are hazardous waste and can be obtained free of charge at almost any service station, whose owners are glad to get rid of them as then they avoid having to pay for their disposal. Medium-sized tyres are just right for this purpose.**

(Esite 32)



INTERNATIONALLY PATENTED
WWW.LOGMATIC.COM

WAREHOUSE
AND SALES:

WITH NATIONAL
& INT. PATENTS,
APPLICATIONS AND
TRADEMARKS
PROTECTED