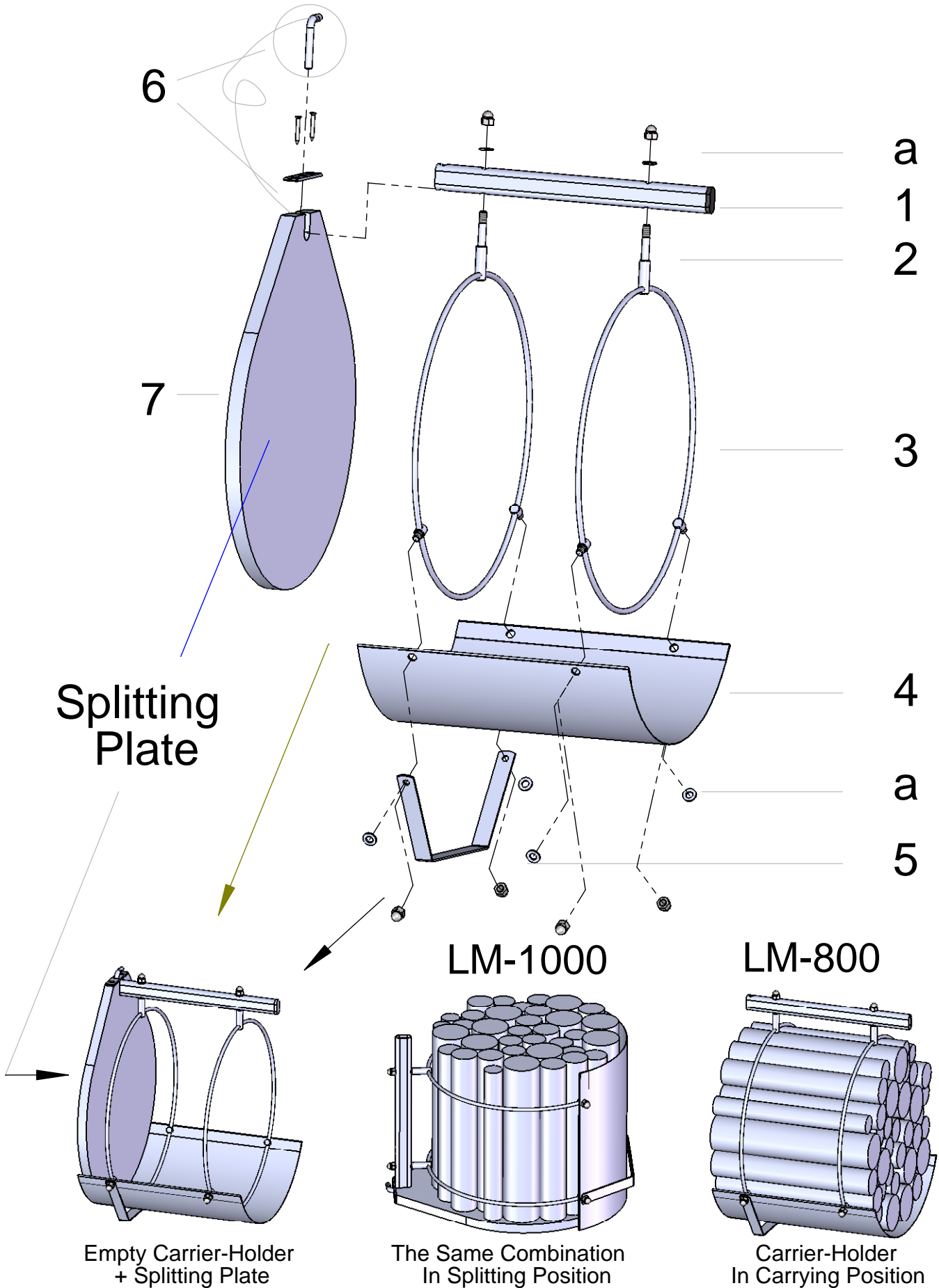


©

LOGMATIC, SPLITTING

®

BASKET CARRIER-HOLDER



WWW.LOGMATIC.COM

04022005 PKKOR74C

WITH NATIONAL & INT. PATENTS, APPLICATIONS AND TRADEMARKS PROTECTED